

## Table of Contents

### Articles

The Effect of Katuk (*Sauropus androgunus* (L) Merr) Leaf Biscuit on Increasing Prolactine Levels of Breastfeeding Mother

Diyani Indrayani, Muhamad Nurhalim Shahib, Farid Husin

Violence Determinant on Teenagers in Yogyakarta

Erni Gustina, Liena Sofiana, Suci Musvita Ayu, Marsiana Wibowo, Ingrid Dwita Wardani

Qualitative Study on Perpetrator of Child Sexual Violence with the Symbolic Interaction Theory Approach

Siti Indriyanti Affiarni, Iken Nafikadini, Dewi Rokhmah

Knowledge and Attitudes with HIV/AIDS on Adolescent Behavior in Senior High School

Yuneti Octianus Nyoko, Maria Kareri Hara

Gadget as Risk Factor to Speech and Language Delay in Autism Children

Muhammad Kamal, Nurul Syahrani Salahuddin, Misda Yanti

Is the Frequency of Smoking Affecting the Risk of Abusing Cannabis?

Nurul Huriah Astuti, Sutanto Priyo Hastono

Comparison of Musculoskeletal Disorder Risk based on Gender in High School Students

Putri Winda Lestari, Yunita Sari Purba, Agung Cahyono Tribuwono

Socio-Economic and Environmental Risk Factors of Tuberculosis in Wonosobo, Central Java, Indonesia

Rita Dian Pratiwi, Dibyo Pramono, Junaedi Junaedi

**Jurnal  
Kesmas**

**Volume  
16**

**Number  
1**

**Page 1-  
153**

**Semarang,  
Juli 2020**

**pISSN 1858-1196  
eISSN 2355-3596**



Published by Jurusan Ilmu Kesehatan Masyarakat, Fakultas Ilmu Keolahragaan  
Universitas Negeri Semarang (UNNES) in coloboration with  
Ikatan Ahli Kesehatan Masyarakat Indonesia (IAKMI)



**DOAJ** DIRECTORY OF  
OPEN ACCESS  
JOURNALS



## Editorial Team

### Editor-in-Chief

- [Prof. Dr. dr. Oktia Woro Kasmini Handayani, M.Kes](#), (SCOPUS ID : 57192428885), Universitas Negeri Semarang, Indonesia

### Editorial Advisory Regional America

- [Dr. Gina Samaan](#), (SCOPUS ID : 6602382950), US. Centers for Disease Control and Prevention, United States

### Editorial Advisory Regional Asia

- [Prof. Kathirvelu Baskar](#), (SCOPUS ID : 55092286200), Loyola College India, Entomology Research Institute, India
- [Dr. Khalid M. Al Aboud](#), (SCOPUS ID : 7003345190), King Faisal Specialist Hospital and Research Centre, Saudi Arabia
- [Dr. Songpol Tornee](#), (SCOPUS ID : 6506180249), Shrinakharinwirot University, Thailand

### Editorial Advisory Regional Australia

- [Prof. Doune Macdonald, PhD](#), (SCOPUS ID : 7401463393), University of Queensland, Australia

### Editorial Advisory Regional Africa

- [Assoc. Prof. Dr. Henry Odhianoson Imhonde](#), Ambrose Alli University, Nigeria

### Editorial Board

- [Dr. Widya Hary Cahyati, S.K.M, M.Kes\(Epid\)](#), (SCOPUS ID : 57210120142), Universitas Negeri Semarang, Indonesia
- [Muhammad Azinar, S.K.M, M.Kes](#), (Scopus ID : 57194193079), Universitas Negeri Semarang, Indonesia
- [Nur Siyam, S.K.M, M.PH](#), (h-index : 3), Universitas Negeri Semarang, Indonesia
- [Efa Nugroho, S.K.M, M.Kes](#), (SCOPUS ID : 57192436111), Universitas Negeri Semarang, Indonesia

### Administration

- [Satria Adi Rachim](#), Universitas Negeri Semarang, Indonesia
- [Widiyanto Widiyanto](#), [Scopus ID: 57201671173] Universitas Negeri Semarang, Indonesia

## Table of Contents

### Articles

[The Effect of Katuk \(\*Sauropus androgunus\* \(L\) Merr\) Leaf Biscuit on Increasing Prolactine Levels of Breastfeeding Mother](#) [PDF](#)  
1-7  
Diyan Indrayani, Muhamad Nurhalim Shahib, Farid Husin

[Violence Determinant on Teenagers in Yogyakarta](#) [PDF](#)  
8-16  
Erni Gustina, Liena Sofiana, Suci Musvita Ayu, Marsiana Wibowo, Ingrid Dwita Wardani

[Qualitative Study on Perpetrator of Child Sexual Violence with the Symbolic Interaction Theory Approach](#) [PDF](#)  
17-27  
Siti Indriyanti Affierni, Iken Nafikadini, Dewi Rokhmah

[Knowledge and Attitudes with HIV/AIDS on Adolescent Behavior in Senior High School](#) [PDF](#)  
28-35  
Yuneti Octianus Nyoko, Maria Kareri Hara

[Gadget as Risk Factor to Speech and Language Delay in Autism Children](#) [PDF](#)  
36-43  
Muhammad Kamal, Nurul Syahrhani Salahuddin, Misda Yanti

[Is the Frequency of Smoking Affecting the Risk of Abusing Cannabis?](#) [PDF](#)  
44-52  
Nurul Huriah Astuti, Sutanto Priyo Hastono

[Comparison of Musculoskeletal Disorder Risk based on Gender in High School Students](#) [PDF](#)  
53-60  
Putri Winda Lestari, Yunita Sari Purba, Agung Cahyono Tribuwono

[Socio-Economic and Environmental Risk Factors of Tuberculosis in Wonosobo, Central Java, Indonesia](#) [PDF](#)  
61-70  
Rita Dian Pratiwi, Dibyo Pramono, Junaedi Junaedi

[Collaboration Network Model of HIV/AIDS Prevention and Control: Case Study in Subang District, Indonesia](#) [PDF](#)  
71-80

Sam'un Jaja Raharja, Dede Akhmad

[Long Bean Leaf Extract for Improving Haematological Status of Female](#)

[PDF](#)

[Adolescent with Anemia that Gets Fe Supplementation](#)

81-87

Fatihah Wari Nurjanah, Suharyo Hadisaputro, Diyah Fatmasari

[The Development and Initial Validation of the Indonesian HIV Social](#)

[PDF](#)

[Stigma \(I-HSS\) Scale](#)

88-92

Angga Wilandika, Diah Nur Indah Sari

[Fatigue in Loading and Unloading Workers at the Port](#)

[PDF](#)

Viranda Nedine Putri Watulinggas, Mona Lestari, Novrikasari

93-100

Novrikasari, Desheila Andarini, Anita Camelia

[Intervention of Specific Nutrition and Sensitive Nutrition with](#)

[Nutritional Status of Under Two-Year Infants in Family Planning Village](#)

[PDF](#)

[as Efforts to Face the Demographic Bonus](#)

101-110

Yena Wineini Migang, Maria Julin Rarome, Marselinus Heriteluna, M Dawam

[The Effect of Low and High Glycemic Load Diet on Muscle Fatigue of](#)

[Young Soccer Athletes](#)

[PDF](#)

Iqlima Safitri, Liani Setyarsih, Hardhono Susanto, Suhartono

111-120

Suhartono, Deny Yudi Fitranti

[Air Quality in Indoor and Characteristics of Workers with Sick Building](#)

[Syndrome at Mall](#)

121-129

Putri Damayanty Simatupang, Devi Nuraini Santi, Irnawati Marsaulina

[Care Support Education: Optimization Model of Communication Change](#)

[Behavior in Female Sex Workers](#)

[PDF](#)

Muhammad Azinar, Arulita Ika Fibriana, Ratu Matahari, Alfiana Ainun

130-137

Nisa

[Development of School Reproductive Health Education Index Model](#)

[PDF](#)

[\(Indeks Pendidikan Kesehatan Reproduksi Sekolah / IPKPRS\)](#)

138-145

Dewi Sari Rochmayani, Irwan Budiono

[A Cross-sectional Study of Nutritional Status and Cardiovascular Health](#)

[Status among Housewives in Tegal Regency, Central Java](#)

[PDF](#)

Mohammad Arif Ali, Gustiana Mega Anggita, Sugiarto Sugiarto, Setya  
Rahayu, Chia-En Yang, Phan Duc Anh Tran, Natsuangkorn  
Kongchulagul

146-153





## Qualitative Study on Perpetrator of Child Sexual Violence with the Symbolic Interaction Theory Approach

Siti Indriyanti Affierni, Iken Nafikadini, Dewi Rokhmah<sup>✉</sup>

Health Promotion and Behavioral Science, Faculty of Public Health, Universitas Jember, Indonesia

### Article Info

*Article History:*  
Submitted January 2019  
Accepted April 2020  
Published July 2020

*Keywords:*  
Sexual abuse, Child,  
Symbolic Interaction

**DOI**  
<https://doi.org/10.15294/kemas.v16i1.17722>

### Abstract

Based on data from the Jember Resort Police (Polres), the highest case of violence against children is sexual violence. The purpose of this research was to analyze the forms of sexual behavior in perpetrators of child sexual violence. This research was a qualitative research with a case study approach, with purposive technique to 7 perpetrators. Credibility was done by testing source triangulation to additional informants, namely wife behavior and triangulation techniques using observation. Most of the events occurred in the perpetrator's house. Most perpetrators used symbols to commit sexual violence to children with verbal cues and invitations. Most had more than one experience of marriage and other one had not married. There were perpetrators who had risky behaviors that often watched porn videos and had sex with commercial sex workers. Most of the perpetrators had a problem of harmony with their partners. Besides pedophiles, abnormal sexual behavior carried out on victims was incest. The victims were stepchildren who have quiet and weak characters.

### Introduction

The meaning of a child according to the Law of the Republic of Indonesia Number 35 of 2014 which is an update of Law Number 23 of 2002 is someone who is not yet 18 years old, including children who are still in the womb. Protection of children is an activity in the form of protecting the rights and lives of children and maintaining the dignity of children as well as protecting children against violence. Protection of children's rights needs to be done and fulfilled by close family (parents), surrounding communities and the State along with the local government (KPAI, 2014). The problems of children are, among others, children in conflict with the law (ABH), children of divorce victims, children with wrong parenting, neglected children (economics, education, etc.), children in bad environments and children who are victims of violence (Erlinda, 2014). Violence is a form of action that results in suffering for

someone as a result of beatings or various other physical actions that have an impact on pain (Perppu RI, 2016).

The high rate of sexual violence against children is proven by the total reported cases of children as perpetrators of violence from 2011 to 2016, with a total of 2096 cases with 21.4% cases of physical violence, 6.1% psychological violence and 72.5% sexual violence (KPAI, 2016). Sexual violence is defined as any form of sexual act, an attempt to commit an unwanted sexual act and is aimed at someone's sexuality by using coercion, by anyone regardless of their relationship with the victim and background (Erlinda, 2014).

KPAI Commissioner Jasra Putra, stated that KPAI had found cases of sexual violence against children in 2015 totaling 218 cases, then in 2016 there were 120 cases and in 2017 with 116 cases (KPAI, 2017). Based on data from the National Commission for Child Protection

<sup>✉</sup> Correspondence Address:  
Jalan Kalimantan No. 37, Kampus Tegalboto, Sumbersari, Jember, Krajan Timur,  
Sumbersari, Kabupaten Jember, Jawa Timur 68121  
Email: dewirokhmah@unej.ac.id



(Komnas PA) of East Java from the number of violence in 2012 there were 76 cases of sexual violence against children, in 2013 there were 198 cases, in 2014 there were 47 cases, in 2015 there were 298 cases and in 2016 there were 162 cases (KPAI, 2016).

The city in East Java which has a role in contributing to the number of child sexual violence is Jember Regency. Based on data from the Jember District Police Department the number of sexual violence in the last 4 years was recorded in 2014 from a total of 104 cases there were 52.83% of cases of child sexual violence. In 2015 the number of cases was 73 with 60.27% of cases of child sexual violence. In 2016, there were a total of 74 cases with 74.32% of cases of child sexual violence and in 2017 (January to June) a total of 38 cases with 57.89% of cases of child sexual violence (Kepolisian Negara Republik Indonesia Jawa Timur Resor Jember, 2017).

Most perpetrators of child sexual violence are teenagers and adults who are known to be close to children and have or feel they have power over the child, but the perpetrators can also come from strangers with rare events (Marcdante, et al., 2014). Factors of sexual violence based on research by Fuadi (2011) relating to perpetrators are the lack of morality and mentality. Less development of moral and mental awareness causes the impulse of sexual activity to be carried out improperly.

The cause of someone doing sexual violence based on research by Kurniawan and Hidayati (2017), is an adult situation that makes children as objects of sexual satisfaction by using threats, coercion, bribes or tricks because the perpetrators feel unable to build sexual relations with their peers or can also experience stress thus look for children as impingement.

Factors of sexual violence perpetrators against children, can be classified as abnormal sexual behavior in accordance with the characteristics of "human sexual *ineduancy*" that a person obtains mastery of sexual desires in an abnormal way that is against children (Rismalinda, 2017). Based on these problems, it is important to conduct research to find out the sexual behavior of the perpetrator in sexual violence against children, related to the sexual meaning and sexual script.

## Method

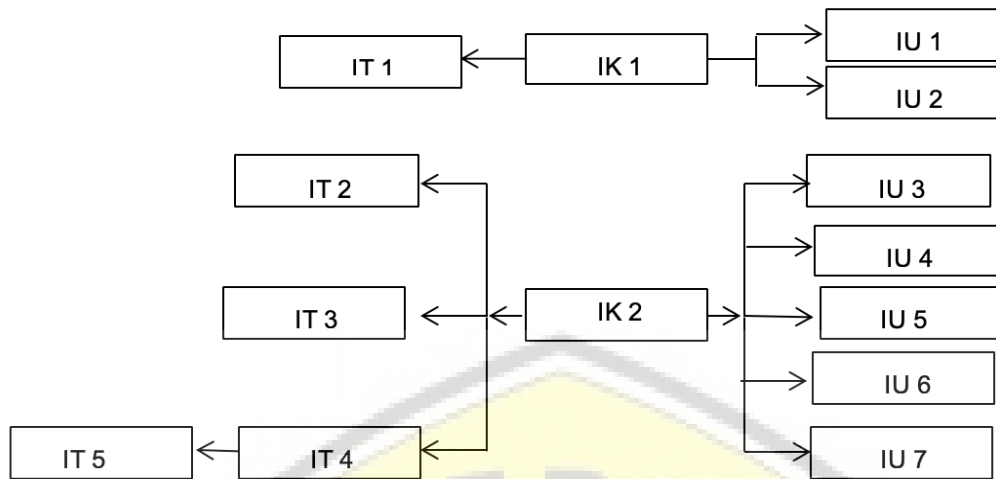
The research site was at the Correctional Facility (LAPAS) and the Jember District Police (Polres). Jember is a regency in East Java Province, Indonesia. The majority of the population of Jember Regency consists of Javanese and Madurese. Jember Regency has education centers ranging from elementary schools to state and private tertiary institutions.

Detainees with violations of Law number 35 of 2014 concerning child protection are under the supervision of the Women's and Child Protection Unit (PPA). The Jember District Police detention house has 5 male room cells and 1 female room cell without any distinction by type of case (Kepolisian resot Kabupaten Jember, 2018). The second research site is Class IIA Correctional Facility, Jember Regency. It is a place for guidance for lawbreakers who are convicted by the court and their status has become inmate and some are still detainee.

This research used qualitative research with a case study approach. It was conducted at the resort Police and Correctional Facility Class IIA Jember Regency, in October 2017 to December 2018. The informants were selected based on purposive techniques. Informants consist of key, primary and secondary. The key informants of this study were investigators of the Protection Unit for Women and Children (PPA) and the primary informants consisted of 7 people who were the perpetrators of child sexual violence. The following flow determines the primary and secondary informants.

The criteria for selecting primary informants include: Child sexual violence who was a detainee at the District Police Station and inmates of Jember Correctional facility who had been decided by the police and the court, were in good physical and mental health (could answer the researcher's questions), and were willing to be informants .

The research was conducted with in-depth interview techniques using interview guides. Interview techniques were conducted using semi-structured methods. Questions used during in-depth interviews include: How do you invite the victim to have sexual relations (signals and codes)? What motivates you to sexually abuse children (experience), how close are you to the victim? And how to meet sexual



**Image 1** Informant Determination Flow

Remark :

IK : Informan Kunci / Key Informant

IU : Informan Utama / Primary Informant

IT : Informan Tambahan / Secondary Informant

needs?

Qualitative data was processed by thematic content analysis (analysis based on themes). The step in data analysis begun with exploring the results of in-depth interviews and research documentation in the form of recordings and photographs. The process of understanding the results of in-depth interviews was by translating the language used by perpetrators in Madura and Javanese to Indonesian to facilitate the reader. The data that had been obtained, studied and analyzed then performed data reduction. The next stage, arranged in units and then categorized in the next step which was coding. The last step was to validate the data.

The credibility test in this research used source triangulation and technique triangulation. Researchers used observation to triangulate techniques. Source triangulation was done by checking the data through several sources, namely with the wife of the perpetrator because they were considered to know the daily life of the perpetrator. In this study the dependability test was conducted by the guiding lecture (expert).

**Result and Discussion**

**Characteristics of Perpetrators and Victims**

The results showed the characteristics of the perpetrators who aged between 22 and 57 years while the victims aged 12 to 17 years. All perpetrators were male and all victims were female. The perpetrator’s relationship with the victim is mostly a close relative, namely, a step child. The results related to the characteristics of the perpetrators are in line with the research of Bahri and Fajriani (2015), cases of sexual abuse in Aceh Province in children were more experienced by children and adolescents, especially female. The age range of the victim was under 18 years, there were a few cases where the victim was an adult female because the children and adolescents still do not understand about sex education and sexual harassment about behavior that should be avoided and the consequences after immoral acts, the weakness of these victims is used by the perpetrators. Rokhmah (2015), states that the high factor of cases of sexual violence against children, especially those whose perpetrators come from the family (related to parenting) because of sexuality education and reproductive health in adolescents provided in schools and homes as a taboo discussion and controlled through discourse morals and religion. So it is important to understand that



sex education need to be taught at an early age.

According to Peplau in Pieter, et al., (2016), explained that there are differences between men and women related to sexual activity, men will show greater sexual desire and dependence and male sexual concepts are characterized by independence, emphasizing strength and having high aggressiveness. The cause of sexual abuse is high at the age of the child is the impact of the nation's culture that requires children to obey the orders of older people, the dominance of power relations such as father to child so that it causes fear when there is a threat (Nurhayati, 2016). Compared to men, subject to gender injustice, women have a higher portion such as marginalization, stereotyping, double burden and violence against women. The dominating role of men in life will be difficult to be abolished and will have an impact on violations of the human rights of children and women. Girls will be very vulnerable to being targeted by male sexual violence perpetrator (Retnaningrum, 2009).

Most of the perpetrators have marital status, most have been married more than once. The marital status of the majority of the perpetrators is in line with research from Bahransyaf (2015), which states that the status of the marriages of incest perpetrators is 93.33% and the rest are widowers and widows. The following excerpts from interviews with primary informants regarding marriage experiences.

*... This is the daughter of the third wife, while the status in the Tanggul was divorced, then I marriage again in Pakusari ... then I divorced again and I returned her to the family ... because I work, and return home at least after six months, the second because of the parent in-law. ... (SM, 57 years).*

The status of the primary informants who were mostly married according to the research of Cahyono, et al., (2018), resulted in the majority of child sexual perpetrators are heterosexual, have been married for a relatively long period and are unstable. The perpetrator admitted that he felt it was difficult to make

contact with fellow peers of the same age because he felt ashamed and finally behaved abnormally by engaging in sexual satisfaction with children. Sexual activities carried out to children by the primary informant were mostly located at the perpetrator's house while the other small part at the victim's house and the relative's house of the perpetrator are usually carried out to commit immoral acts with the victim. The following is a quote from the main informant.

*She finished bathing, then got dressed in the room where I was in, and it suddenly happened ... (SM, 57 years).*

The result of this research related to the scene is aligned with research from Karnaji (2017), stated that cases of child sexual violence of 28.5% were carried out at the victim's house and 32.1% at the perpetrator's house. Neighborhood factors also supported the perpetrators of sexual violence because there was no privacy and room restrictions in the house so that children did not have the opportunity to maintain the boundaries of personal space (Ningsih and Hennyati, 2018). Hertinjung in Ningsih and Hennyati (2018), said that the shared use of space and the unavailability of personal space not only make children lose control over themselves but also make personal space boundaries ignored, causing children to be forced to accept the existence of others outside themselves in any condition. The condition of the place will make it difficult for the child to determine someone who is allowed to enter personal space.

### **Sexual Interpretation**

Perpetrators use symbols both verbally and in gesture. Symbols that have the meaning given by the perpetrators in the form of an invitation both verbally and non verbally. Most perpetrators give certain symbols and also verbal words to the victim to express the desire to have sexual relations, as illustrated by the following quote.

*Usually, I was not directly ask her to the bedroom. It was begun with a fondling*

*then it happened just like that. When her mother's around, we winked each other and I said, tonight dear.. like that.. (DK, 47 years)*

The statement from the informant is in line with Rukmi's (2012), research on the initiation of intercourse in students that the informant invites to use cues for sexual intercourse and has often previously discussed conversations that allude to sex. Symbols that are given according to symbolic interactions are nonverbal communication, communication that is used not with words but from gestures or body language. Verbal and non-verbal communication (symbols) cannot be separated because non-verbal communication is a supporter of one's verbal communication (Masyitah, 2016). The symbol used by the primary informant belongs to the category of nonverbal gestural messages, that is, messages involving some limbs (Mulyana, 2014).

#### **Sexual Scrip (Intrapsychist Scrip)**

Behavioral models created in the surrounding environment will be a material for learning by someone who is exposed to a system of violation models that can also result in imitating acts of violating sexual behavior (Aggreiny, et al., 2016). The results of this research explain that all informants have never had experiences that trigger sexual violence behavior carried out on children, following a quote from the informant.

*Never do sodomy. I don't know, I saw on television. At that time not every house had it... (DK, 47 years).*

This is aligned with the results of research from Kusumawati, et al., (2014), research subjects who are perpetrators of sexual violence against children carried out on the grounds of perpetrators of lust towards victims who are still children. Nainggolan (2008) explains the impulse of a person to have sexual relations with children can be seen from two sides, namely psychological and biological factors. Psychologically, the cause is that the perpetrators find it difficult to control and

balance the desires of their sexual drive, causing distorted relationships or deviations, even encouraging the perpetrator to vent to others. When viewed in biological factors basically humans have sex drive since infancy. The sex drive is very strong and tries hard to be fulfilled. The consequences of not being able to balance and shift to beneficial activities in the form of losing balance and affecting daily activities.

Heyman and Slep in Hikmah (2017) stated that the phases of a person want to vent their conflict because of unpleasant past experiences, if exposed to stimuli such as sexual nuanced media and then will be able to stimulate children to conduct sexual behavior and orientation. Restrained sexual desire will begin to be expressed by looking for subjects with generally younger children, because they think children are still weak and less resist.

Yatimin in Aisyah (2017) also stated that there is a relationship between the frequency of accessing pornographic sites and sexual behavior. Porn readings or pornographic writings, according to norms (religion) can drive to thoughts that can lead to immoral violations and pornographic shows. Sex material can create sexual arousal so as to make people more aggressive. The following excerpts from interviews with primary informants regarding their exposure to pornography.

*...I watched porn video with my dating partner, once my ex asked me but I refused.. (NA, 23 years).*

The results of Raijaya and Sudibia's research (2017), relating to the role of the media in the form of watching containing pornography will influence the actions of perpetrators similar to research in Denpasar found cases of child sexual violence, that social media plays a role in the formation of behavior from the audience. The results of the study illustrated some perpetrators who often watch porn videos via YouTube, that's why the sexuality stimulation of the perpetrators increased and finally did the action. Research by Suwarni and Selviana (2015), results in a large proportion of respondents exposed to pornographic media

influencing their desire to have premarital sexual relations. The frequency of exposure to pornographic videos will affect the desire to engage in sexual activity, the results show that teens who watch pornographic videos through television are 2,803 times more likely to have premarital sex than those who don't.

Sexual experiences that can be a driving force for sexual violence against children is a relationship with a female sex worker. Sexual behavior by hiring commercial sex workers (PSK) according to Sakalasastra and Herdiana, is part of the trauma of victims of sexual abuse during childhood in the form of traumatic sexualization. Another form of trauma that is also shown in the form of disgust with matters relating to sex, but from the research results Sakalasastra and Herdiana (2012), the subject often channeled his sexual desire with sex workers. Based on the results of interviews with additional informants, there was a perpetrator who visited the brothel to have sexual relations with commercial sex workers. The following are excerpts from secondary informants.

*...His friend said he often went to Puger (prostitution area). There are many prostitutes there, but it had been closed ... (DS, 42 tahun).*

The statement from the secondary informant is aligned with Rokhmah's (2014), study that the male incentive to have sex with sex workers can be due to he has more income than the work that is occupied. Rokhmah stated that horizontal mobilization of a man would choose a job in the city and leave a job in the village, with a greater income than the previous job allowing men to have transactions with sex workers to satisfy sexual urges due to the absence of limiting social controls .

### **Sexual Scrip (Interpersonal Scrip)**

The perpetrator met with the victim because of the initial meeting, based on the results of this research most of it began with the relationship with the wife or victim's mother as a married couple and at the same time became the stepfather of the victim. Like the following quote.

*... I had been taking care the step child since 2.5 or 3 years old (NA, 23 years).*

The perpetrator and the victim has a relationship like parents and children. So the relationship that looks like there is nothing special. Perpetrators who mostly committed sexual violence against one child but with intensity more than once, causing no different meeting techniques. The relationship began with the closeness of the victim to the informant as the following quote.

*I considered as my own child... we were close and we used to tease each other, probably we thought it just a joke.. used to sleep at home, still sleep at home with the mother after it happened. As usual when went to school I give money to my step child. Nothing change (SY, 48 years old).*

Most of the informants have a very intents and close relationship with the victim. After the initial phase of the approach with child victims, the perpetrator tries to maintain sexual behavior with the child. Margareth in Kurniawan and Hidayati (2017), explained the ways in which perpetrators make children victims while still paying attention. If the victim is another person, then the perpetrator will take the heart of his parents by being polite when attending his house. It would be much easier if the victim's relationship is still family, such as father, stepfather or grandfather because the perpetrator will take the initiative to invite the victim to spend time together outside the house, joking together so that the victim will feel comfortable. The relationship of the victim to the perpetrator who looks like a child and father relationship causes the partner not to know because they think it is natural. According to Yuwono (2015), children are often a means of satisfying sexual lust for adults, especially with pre-puberty children. At this time the child has not experienced menstruation or can not be fertilized for girls and can not be



pregnant. Unlike the case with a small number of informants who were in a dating relationship before sexual intercourse. The comfort felt so that the informant decides to have sex.

Latifatunnikmah and Lestari (2017), stated that in establishing relationships with other people, the factors that someone became interested in were pleasant characteristics such as being able to present personal warmth and also a tendency toward similarities in attitudes, values, interests, backgrounds and personalities between each other. As quoted from the following informant.

*... At the beginning no intimate feel, yet after we did it such feeling came... since still young probably it feel just the same. Maybe the differences were because she was young and attractive.. haha.. (DK, 47 years).*

According to Baron and Byrne in Azhar (2018), the influence of one's physical condition is very influential on a sense of attraction with others. Physical appearance influences various types of judgments interpersonal, including the arising of sympathy. An attractive appearance is concluded as a positive value characteristic and influences interpersonal attraction and interpersonal selection. Married status of most perpetrators is married and claims to have the intensity of conducting marital relations that are lacking. The following excerpts from the results of the primary informant interview.

*For a year I had less sex since my wife sick. We still do it sometimes but not when she relapse (SY, 48 years).*

The informant's statement that the wife is a motivating factor for sexual relations with children is in line with the results of Tuliha's research (2018), which found that the perpetrator gave a reason for causing sexual violence against children was the wife was rarely at home so that the opportunity for sexual relations with his wife was reduced. Tuliha concluded that the reason stated by the perpetrator was impingement because

the status of the perpetrator who had workers would encourage the perpetrators to commit sexual deviations and be able to restrain their desires compared to workers who did not work. Because many men become pedophiles because of the intensity of masturbation that is often compared to women. Masturbation will stimulate the desire for orgasm if there is a fantasy that arises, the fantasy may continue to develop forms of deviant fantasy (Auliarachmah, 2017).

### **Sexual Behavior**

The result of interview with secondary informant, the relationship of the perpetrator with secondary informant experienced less harmony in the period before the incident. The following excerpts from interview with secondary informants.

*... I had experienced domestic violence for 11 years yet I still be able to taking it as I still hoping... (AN,35 years).*

History of perpetrators who have been married to adults can be categorized Situational Molester pedophiles. Situational Molesters are normal people and have heterosexual experiences in the choice of adult sexual partners. This indicates the state of sexual drive and normal sexual development because it basically has an interest in sex in adults (Lesmana, 2017). Sexual violence can be impulsive as the response to stress.

Overall, the primary informants have heterosexual normal behavior with shown interest in the opposite sex as evidenced by the majority of the informants have been married to women their age and also other informants have interests with the opposite sex. Based on Sarwono (2015), normal sexual behavior in the form of all the behaviors that are motivated by sexual desires, which are poured out by the opposite sex or same sex. Forms of behavior that are shown from feelings of attraction to dating behavior, making out and having sex. The following excerpt from the perpetrator related to relations with the opposite sex.

*...I had done it with my dating partner.*

*The point is if someone came here, the person must have done it more than once... (NA, 23 years).*

Mohr in Khaidir (2007), stated the perpetrators of sexual abuse in children who have heterosexual behavior are difficult to distinguish from the normal population of people. There is no significant difference between sexual harassers and normal people in terms of intelligence, work or education. Also that the perpetrators generally do not have a criminal background. Mohr and Gebhard in Khaidir (2007), found that some heterosexual offenders suffer from abnormal sexual adjustment even though many of the perpetrators still get satisfaction when dealing with women their age. Forms of sexual violence committed against victims as a whole are not carried out by force, this is based on the result of interview with perpetrators.

*...I did not compel it, the child want to do it. I ask first. If the child want to do it, we do it. If not, then we don't. And I was the one who clean the dirt after we do it before we came out of the room. After we clean it, we directly wear our pants (SM, 57 years).*

According to Noviana (2015), forms of sexual violence against children can also be without threats but by using psychological manipulation. Children are deceived, so they follow their desires. Children as individuals who have not reached the level of maturity, have not been able to judge something as a trick. Most forms of sexual violence committed by perpetrators are incest because they are carried out on victims who still have family relations with the perpetrators.

Forms of sexual violence against children committed can consist of two sexual behaviors at once. Forms of child sexual violence can also occur indirectly such as showing children to pornography, showing children to sexual activities such as intercourse, showing genitals to children (exhibitionism), peering and spying on children while bathing

(voyeurism), photographing the child is naked, and spreading the child naked. Actions such as these occur at one of the primary informant also recording sexual activity that took place while performing with the victim (Sugijokanto, 2014). The following is a excerpt from the primary informant.

*She let me caressed her and let me kissed her cheek. Then we go further.. I never forced her to do it. If I forced her, it won't be last for three years.. I recorded it.. maybe 4 times.. just for fun.. then I watched. And wow... it's like in the western porn movie.. haha.. (DK, 47 years).*

Based on the intensity of the perpetrators of sexual relations with victims who mostly stated doing repetitive can be related to the pedophile criteria according to Farihin in Hidayati (2014) which discusses "The Concept of Nursing Care for Children in Pedophilia". Pedophilia is an act of sex because of repeated sexual urges in the form of genital relations with prepubertal children or more attracted to children. Repeated encouragement to have sex with children lasts at least six months and ranges of children aged 13 years or younger. Another criteria is sexual drive causes interpersonal pressure or personality disorder and the age of the perpetrator is at the youngest 16 years or at least five years older than the child.

The purpose of recording video during the action is to watch it again and the informant feels satisfied. But the informant did not disseminate the contents of the video. Acts of sexual violence committed repeatedly in line with the results of research Ulum et al., (2010) subject experienced sexual violence for 3 years. This is because of the close relationship with the perpetrator and the authority so that the subject does not dare to tell and the possibility of threats, trying to maintain honor, even an explanation from the perpetrator that the act is a form of affection. The intensity of sexual relations that often do not rule out the possibility of pregnancy. As an excerpt from the following interview.



*4 times within two months. From the first time to second one was less than one month... then when her pregnancy reached 7 months we meet, at that time she had it checked on Patrang...(SM, 57 years).*

The statement represented the majority of the informants' answers that they had engaged in sexual activity with the victim more than once. Perpetrator have special techniques to create comfort for perpetrator. According to Dimala (2014), the process of perpetrators of sexual violence against children usually there are phased done, the possibility of the perpetrator trying to measure the comfort of the victim. If the comfort of the victim is obtained, the perpetrator will engage in sexual activity with the victim.

Overall, cases of sexual violence against children before puberty are mostly classified as pedophilia, but can not only see the physical characteristics and the number of children who are victims. There should be a standard examination of clinical diagnoses and psychological tests related to pedophilia in more depth. According to Indragiri in Probosiwi and Bahransyaf (2015), there are differences between pedophilia and child sexual violence. Pedophilia is a form of sexual deviation, in contrast to child sexual violence which is usually carried out because the perpetrator does not have the opportunity or choice to vent generally his sexual desire. So that sexual behavior with children becomes impingement.

Sexual behavior that deviates from someone who is sexually abusing children, can be categorized as pedophiles and also perpetrators of sexual abuse. Based on Hidayati and Kurniawan (2017), pedophiles have an impulse and fantasy that are more focused being attracted to children with a long time. While sexual abuse in children can occur due to the absence of an adult partner.

### Conclusion

Based on this research results, the perpetrators aged 22-57 years, with the overall male gender with married and single status. The perpetrator and the victim have a familial relationship. Most perpetrators have more than

one marriage experience. The perpetrators invited the victim by giving a symbolic gesture and also a verbal invitation. The perpetrators claimed to have no experience of sexual violence in childhood. A small number of perpetrators had been exposed to pornographic content and had experience in visiting brothels to deal with commercial sex workers. One of the perpetrator stated that it was because of the physical condition of the stepchild who still young made him do sexual violence to her. Sexual behavior of the majority of informants is abnormal in the form of pedophiles and incest with more than one intensity. The DP3AKB agency is an agency in the Youth Family Development program by strengthening family functions and parenting skills for divorced families. Media education can be a support for implementing the program and can also collaborate with educational institutions in the delivery of information and media outreach to the community. So that people, especially parents, are more attentive and always maintain communication with children, introduce and teach children about sexual education as early as possible and provide education for children to be vigilant when establishing relationships with family, friends and new people.

### Limitation of the Research

Researchers had not been able to involve victims to carry out triangulation of sources due to their trauma based on the interview with perpetrators' wives.

### Reference

- Aisyah, S., 2017. Studi Penyimpangan Perilaku Seksual pada Remaja Tunalaras Tipe Conduct Disorder. *Jurnal Widia Ortodidaktika*, 6(8), pp.795-806.
- Anggreiny, N., Sari, S.M., & Aziza, A., 2016. Mekanisme Psikologis Remaja Pelaku Kekerasan Seksual. *Jurnal Psikologia*, 11(3), pp. 112-122.
- Auliarachmah, A., Cahyo, K., & Husodo, T.B., 2017. Identifikasi Faktor-faktor Penyebab Perilaku Pedofilia Pada Narapidana di LAPAS Klas I Cipinang Jakarta. *Jurnal Kesehatan Masyarakat*, 5(3), pp.457-465.
- Azhar., 2018. Peranan Daya Tarik Fisik Terhadap Perasaan Cinta pada Lelaki yang Memiliki Wanita dengan Tunanetra. *Jurnal Psikologi*, 2(1), pp.92-99.
- Bahri, S., & Fajriani., 2015. Suatu Kajian Awal

- terhadap Tingkat Pelecehan Seksual di Aceh. *Jurnal Pencerahan*, 9(1), pp.50-65.
- Cahyono, H., Suhono., & Khumairo, A., 2018. Pendidikan Karakter Bagi Pelaku Pedofilia (Sebuah Strategi dalam Mengatasi Amoral). *Jurnal Manajemen, Kepemimpinan dan Supervisi Pendidikan*, 3(1), pp.1-19.
- Dimala, C.P., 2017. Dinamika Psikologis Korban Kekerasan Seksual pada Anak Laki-laki (Studi di Karawang). *Psychopedia Jurnal Psikologi Universitas Buana Perjuangan Karawang*, 1(2), pp.63-77.
- Erlinda., Upaya Peningkatan Anak dari Bahaya Kekerasan, Pelecehan dan Eksploitasi. Jakarta: Komisioner KPAI. Universitas Sanata Dharma. Yogyakarta
- Fuadi, M.A., 2011. Dinamika Psikologi Kekerasan Seksual: Sebuah Studi Fenomologi. *Jurnal Psikologi Islam (JPI)*, 8(2), pp.191-208.
- Hidayati, N., 2014. Perlindungan Anak terhadap Kejahatan Kekerasan Seksual (Pedofilia). *Jurnal Pengembangan Humaniora*, 14(1), pp.68-73.
- Hikmah, S., 2017. Mengantisipasi Kejahatan Seksual Terhadap Anak Melalui Pembelajaran “Aku Anak Berani Melindungi Diri Sendiri”. *Jurnal Sawwa*, 12(2), pp.187-206.
- Republik Indonesia., 2014. *Undang-undang Republik Indonesia No. 35 Tahun 2014 Tentang Perubahan Atas Undang-Undang No. 23 Tahun 2002 Tentang Perlindungan Anak*. Jakarta: Kementerian Republik Indonesia.
- Karnaji., 2017. Perkosaan Anak Perempuan: Pelaku dan Pola Kejadian. *Jurnal Masyarakat, Kebudayaan dan Politik*, 30(1), pp.76-83.
- Kepolisian Negara Republik Indonesia., 2017. *Data Tindak Pidana Terhadap Perempuan dan Kasus Anak di Bawah Umur yang Ditangani Polres Jember*. Jember: Polres Kabupaten Jember.
- Khaidir, M., 2007. Penyimpangan Seksual (Pedofilia). *Jurnal Kesehatan Masyarakat (KEMAS)*, 1(2), pp.83-89.
- KPAI., 2016. *Bank Data Perlindungan Anak*. Jakarta: Komisi Perlindungan Anak Indonesia.
- KPAI., 2017. *Tahun 2017, KPAI Temukan 116 Kasus Kekerasan Seksual Terhadap Anak*.
- Kurniawan, D., & Hidayati, F., 2017. Penyalahgunaan Seksual dengan Korban Anak-Anak (Studi Kualitatif Fenomenologi Terhadap Pelaku Penyalahgunaan Seksual dengan Korban Anak-Anak). *Jurnal Empati*, 6(1), pp.120-127.
- Kusumawati, A., Shaluhiyah, Z., & Suryoputro, A., 2014. Tradisi Kekerasan Seksual sebagai Simbol Kekuasaan pada Anak Jalanan di Kota Semarang. *Jurnal Promosi Kesehatan Indonesia*, 9(1), pp.17-31.
- Latifatunnikmah., & Lestari, S., 2017. Komitmen Pernikahan Pada Pasangan Suami Istri Bekerja. *Jurnal Humanitas*, 14(2), pp.103-119.
- Lesmana, C.B.J., 2017. *Buku Panduan Belajar Koas Ilmu Kedokteran Jiwa*. Denpasar: Udayana University Press.
- Marcdante, K.J., Kliegman, R.M., Jenson, H.B., & Behrman, R.E., 2014. *Nelson Ilmu Kesehatan Anak Esensial Edisi Keenam (terjemahan)*. Singapura: Saunders Elsevier.
- Masyitah., 2016. Analisis Interaksi Simbolik Kaum Lesbian Butch dengan Masyarakat Lingkungannya. *Jurnal Ilmiah Ilmu Komunikasi (Wacana)*, 15(3), pp.195-219.
- Mulyana, D., 2014. *Ilmu Komunikasi Suatu Pengantar*. Bandung: Penerbit Remaja Rosdakarya Offset.
- Nainggolan, L.H., 2008. Bentuk-bentuk Kekerasan Seksual terhadap Anak di Bawah Umur. *Jurnal Equality*, 13(1), pp.73-81.
- Ningsih, E.S.B., & Hennyati, S., 2018. Kekerasan Seksual Pada Anak di Kabupaten Karawang. *Jurnal Bidan Midwife*, 4(2), pp.56-65.
- Noviana, I., 2015. Kekerasan Seksual terhadap Anak Dampak dan Penanganannya. *Jurnal Sosio Informa*, 1(1), pp.13-28.
- Nurhayati., 2016. Analisis Determinan Kekerasan Terhadap Anak di Rumah Sakit Bhayangkara Tingkat I RS Sukanto Jakarta. *Jurnal Asuhan Ibu dan Anak*, 1(2), pp.1-19.
- Pieter, H.Z., Janiwarti, B., & Saragih, M., 2011. *Pengantar Psikopatologi untuk Keperawatan*. Jakarta: Kencana Prenada Media Group.
- Probosiwi, R., & Bahransyaf., 2015. Pendidikan Karakter Bagi Pelaku Pedofilia (Sebuah Strategi dalam Mengatasi Amoral). *Jurnal Sosio Informa*, 1(1), pp.29-40.
- Raijaya, I.G.A.K.M., & Sudibia, I.K., 2017. Faktor-faktor Sosial Ekonomi Penyebab Terjadinya Kasus Pelecehan Seksual Pada Anak di Kota Denpasar. *Jurnal Kependudukan dan Pengembangan Sumber Daya Manusia*, XIII(1), pp.9-17.
- Republik Indonesia., 2016. *Peraturan Pemerintah Pengganti Undang-Undang (Perppu) No.1 Tahun 2016 tentang perubahan kedua atas Undang-Undang Perlindungan Anak*. Jakarta: Republik Indonesia.
- Retnaningrum, D.H., 2009. *Incest Sebagai Bentuk Manifestasi Kekerasan Terhadap perempuan*. *Jurnal Dinamika Hukum*, 9(1), pp.19-29.
- Rismalinda., 2017. *Psikologi Kesehatan*. Jakarta: Trans Info Media (TIM).

- Rokhmah, D., 2014. Implikasi Mobilitas Penduduk dan Gaya Hidup Seksual Terhadap Penularan HIV/AIDS. *Jurnal Kesehatan Masyarakat (KEMAS)*, 9(2), pp.183-190.
- Rokhmah, D., 2015. Pola Asuh dan Pembentukan Perilaku Seksual Berisiko Terhadap HIV/AIDS Pada Waria. *Jurnal Kesehatan Masyarakat (KEMAS)*, 11(1), pp.125-134.
- Rukmi W.P.R., 2012. Inisiasi Hubungan Seksual Pada Mahasiswa di Kota Bandar Lampung. *Jurnal Kedokteran dan Kesehatan Universitas Lampung*, 2(2), pp.28-34.
- Sakalasastra, P.P., & Herdiana, I., 2012. Dampak Psikososial Pada Anak Jalanan Korban Pelecehan Seksual yang Tinggal di Liponsos Anak Surabaya. *Jurnal Psikologi Kepribadian dan Sosial*, 1(2), pp.69-73.
- Sarwono, S.W., 2015. *Psikologi Remaja*. Jakarta: PT Raja Grafindo Persada.
- Sugijokanto, S., 2014. *Cegah Kekerasan Pada Anak*. Elex Media Komputindo: Sidoarjo.
- Suwarni, L., & Selviana., 2015. Inisiasi Seks Pranikah Remaja dan Faktor yang Mempengaruhi. *Jurnal Kesehatan Masyarakat (KEMAS)*, 10(2), pp.169-177.
- Tuliah, S., 2018. Kajian Motif Pelaku Kekerasan Seksual terhadap Anak melalui Modus Operandi di Lingkungan Keluarga. *e-Jurnal Sosiatri-Sosiologi*, 6(2), pp.1-17.
- Ulum, P.N., Lestari, S., & Hertinjung, W.S., 2010. Romantisme Wanita Korban Kekerasan Seksual Pada Masa Kanak-kanak. *Indigenous Jurnal Ilmiah Berkala Psikologi*, 12(2), pp.126-136.
- Yuwono, I.D., 2015. *Penerapan Hukum dalam Kasus Pelecehan Seksual Terhadap Anak*. Yogyakarta: Pustaka Yustisia.

